

EC Declaration of Suitability for Use

Name and Address of the Manufacturer or Air Navigation Service Provider (if the latter is the manufacturer)	RHOTHETA Elektronik GmbH Dr.-Ingeborg-Haeckel-Str. 2 82418 Murnau Germany
Constituent / Scope	RT-1000 Line Protection Surge protector for RTA 1300.A Doppler DF antennas of RT-1000 systems
System Allocation	Navigation Systems and Procedures

1. Common Information relating to the Constituent

1.1 Regulation Reference Number

Relevant Provisions of

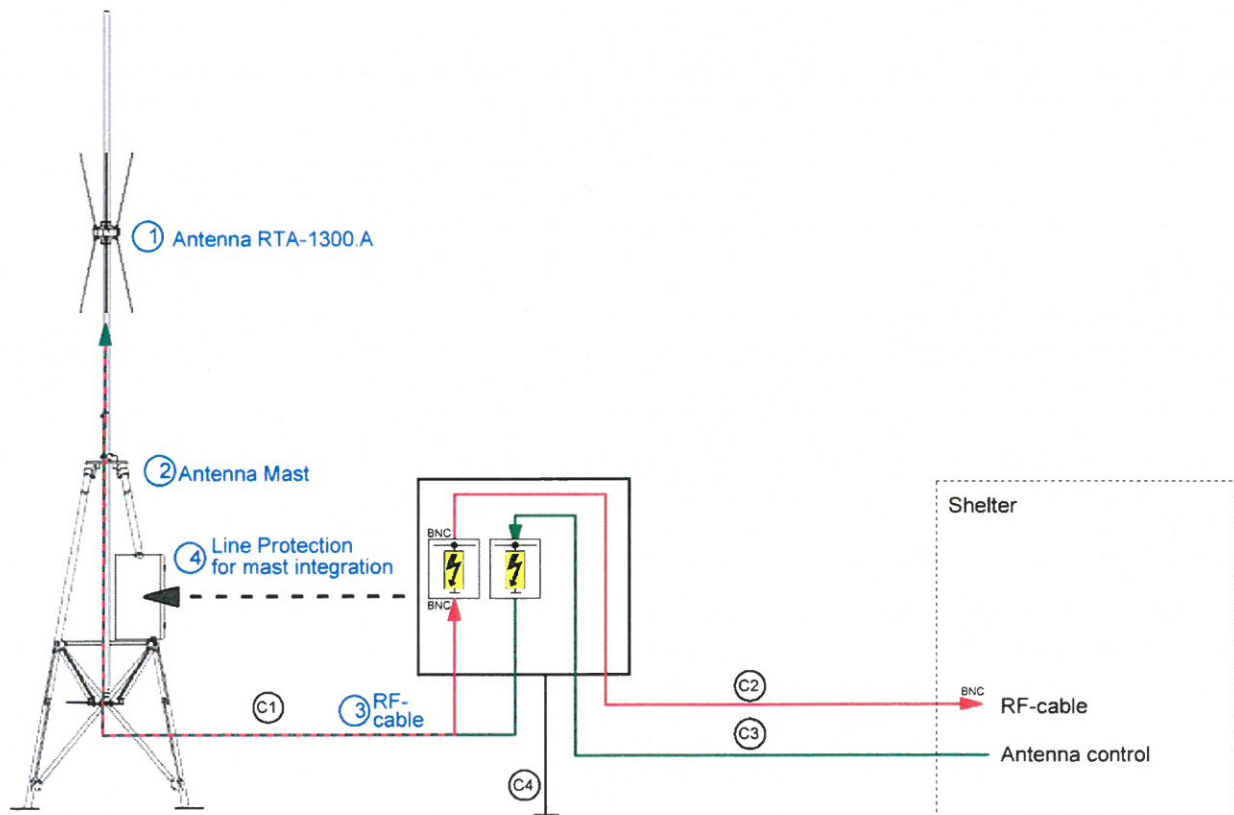
- Regulation (EC) No 552/2004 on the Interoperability of the European Air Traffic Management Network,
- Directive 2014/35/EU of the European parliament and of the council on the harmonisation of the laws of the Member States relating to the making available on the market of electrical equipment designed for use within certain voltage limits

1.2 Manufacturer Information

RHOTHETA Elektronik GmbH, Dr.-Ingeborg-Haeckel-Str. 2, 82418 Murnau, Germany

1.3 Description of the Constituent

The line protection is integrated in the interconnecting cables between RTA 1300.A and RT-1000-Systems and protects them against damages due to lightning strikes.



1.4 Description of the Procedure followed in order to declare Conformity or Suitability for Use

- Conformity assessment procedure according to Directive 2014/35/EU of the European Parliament and of the Council on the harmonisation of the laws of the Member States relating to the making available on the market of electrical equipment designed for use within certain voltage limits
- Conformity assessment according to the Regulation (EC) No 552/2004 on the Interoperability of the European Air Traffic Management Network

1.5 Relevant Provisions

Following harmonised standards are applied according to the regulations listed under 1.4:

Health & Safety

EN 61643-21:2001

1.6 Notified Bodies

1.7 Reference to the Community Specifications

1.8 Identification of the Signatory

Dipl.-Ing. (FH) Wolfgang Pichl, Managing Director RHOTHETA Elektronik GmbH
Andreas Schlehuber, Commercial Administration RHOTHETA Elektronik GmbH

2. Declaration

RHOTHETA Elektronik GmbH, 82418 Murnau, Germany, hereby declares that the constituent described above was considered with regard to its suitability for use within the air traffic management environment.

Murnau, 2017-10-20

Authorised Representative

b.o.

Andreas Schlehuber