

## EC Declaration of Suitability for Use

**Name and Address of the Manufacturer or Air Navigation Service Provider**  
(if the latter is the manufacturer)

RHOTHETA Elektronik GmbH  
Dr.-Ingeborg-Haeckel-Str. 2  
82418 Murnau  
Germany

**Constituent / Scope**

RT-1000 Multichannel Antenna Control  
Antenna Control Unit of the Multi-Channel Direction  
Finder RHOTHETA RT-1000 Multichannel

**System Allocation**

Navigation Systems and Procedures

### 1. Common Information relating to the Constituent

#### 1.1 Regulation Reference Number

Relevant Provisions of

- Regulation (EC) No 552/2004 on the Interoperability of the European Air Traffic Management Network,
- Directive 2014/53/EU on the harmonisation of the laws of the Member States relating to the making available on the market of radio equipment and repealing Directive 1999/5/EC; to be implemented in national German law by the "Gesetz über die Bereitstellung von Funkanlagen auf dem Markt" (Funkanlagengesetz – FuAG).

#### 1.2 Manufacturer Information

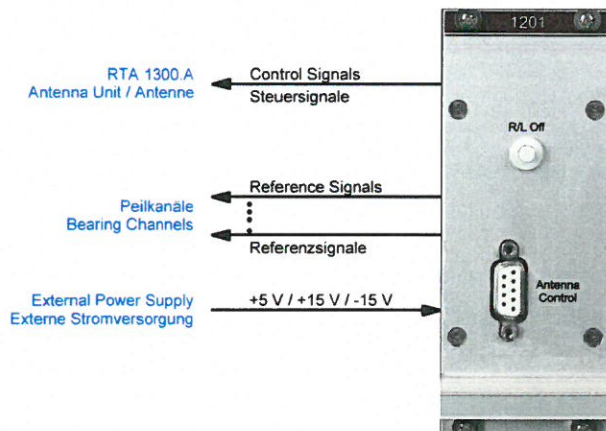
RHOTHETA Elektronik GmbH, Dr.-Ingeborg-Haeckel-Str. 2, 82418 Murnau, Germany

#### 1.3 Description of the Constituent

The Antenna Control unit controls the direction finder antenna unit RTA 1300.A and provides reference signals to the bearing channels of the RT-1000 Multichannel direction finder system.

On its backplane, it provides the antenna control output, and 4 similar coaxial outputs for R/L-Pulse reference and 4 similar coaxial outputs for system clock reference (6144 kHz). Additionally, it allows connection to an antenna simulator box for service purposes.

The Antenna Control is designed for 19" rack installation with an operational temperature range from -40°C to +60°C. Supply is provided through stabilized DC voltage of +5 or +5,15 V, -15 V and +15 V.



**1.4 Description of the Procedure followed in order to declare Conformity or Suitability for Use**

- Conformity assessment procedure according to Annex II of Directive 2014/53/EU on the harmonisation of the laws of the Member States relating to the making available on the market of radio equipment and repealing Directive 1999/5/EC
- Conformity assessment according to the Regulation (EC) No 552/2004 on the Interoperability of the European Air Traffic Management Network.

**1.5 Relevant Provisions**

Following harmonised standards are applied according to Directive 2014/53/EU on the harmonisation of the laws of the Member States relating to the making available on the market of radio equipment and repealing Directive 1999/5/EC:

**Health & Safety**

EN 60950-1:2006 + A11:2009 + A1:2010 +  
A2:2013 + AC:2011 + A12:2011

**EMC**

EN 301 489-1 V1.9.2  
EN 301 489-22 V1.3.1

Other standards applied to development and qualification of the Antenna Control Unit are:

- National German authorisation rule "Bekanntmachung über die Anforderungen zur Musterzulassung von Funkpeilanlagen im Frequenzbereich 117,975 – 137 MHz", publicized in NfL II 43/03 (DFS)
- DIN EN 60068 Series environmental testing standards

**1.6 Notified Bodies**

---

**1.7 Reference to the Community Specifications**

---

**1.8 Identification of the Signatory**

Dipl.-Ing. (FH) Wolfgang Pichl, Managing Director RHOTHETA Elektronik GmbH

**2. Declaration**

***RHOTHETA Elektronik GmbH, 82418 Murnau, Germany, hereby declares that the constituent described above was considered with regard to its suitability for use within the air traffic management environment.***

Murnau, 2017-08-02

**Authorised Representative**

i.A.  
Wolfgang Pichl