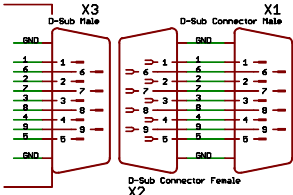


Recommended RT300 DCU Connections Plan

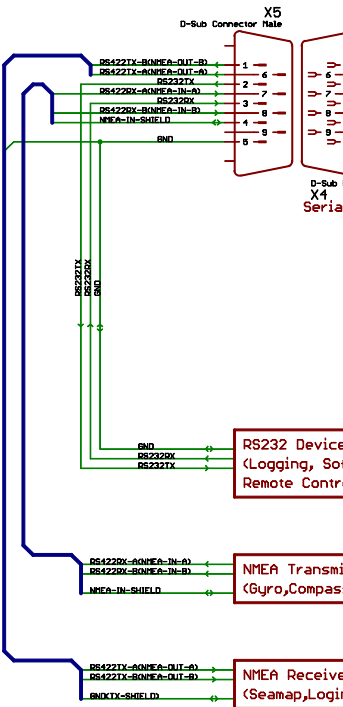
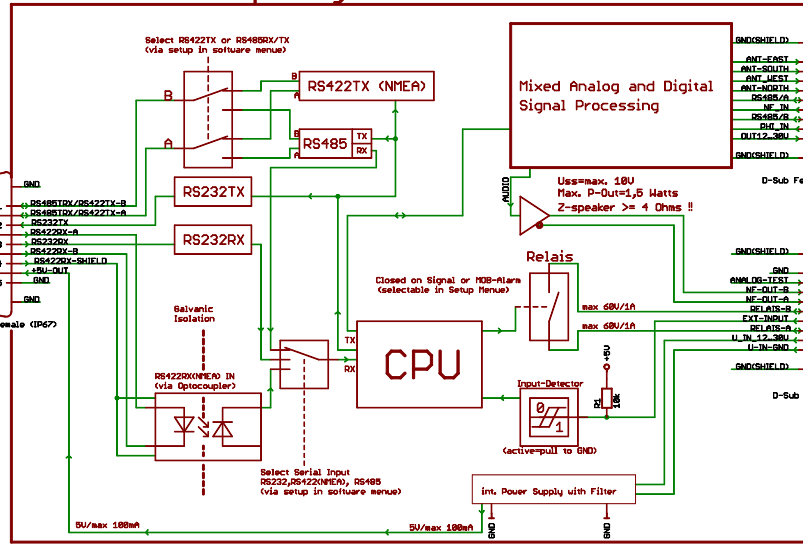
all external connections except Power Supply and Antenna are optional

Recommended Cable Connection to PC for Software Update

PC-COM Port Standard Cable 9+Shield



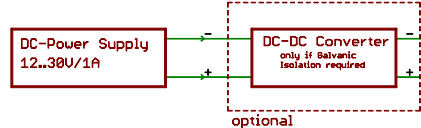
DCU (Display Control Unit)



RS232 Device
(Logging, Software Update,
Remote Control, Seamap,....)

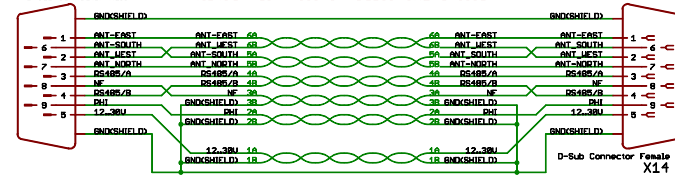
NMEA Transmitter
(Gyro, Compass, GPS, Remote Control...)

NMEA Receiver
(Seamap, Logging Console, Daughter Display,.....)



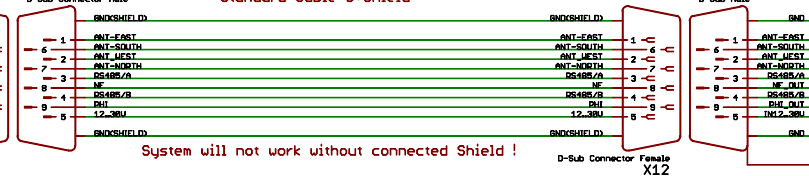
Allowed Cable Length 1....100m

Connection Cable (ANTENNA-DCU)
Twisted Pair Telekom Cable 6x2+Shield

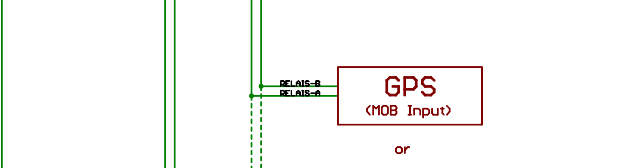
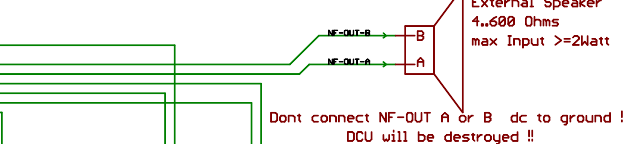
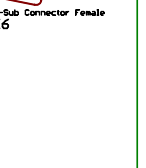
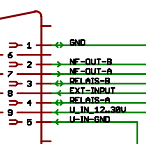
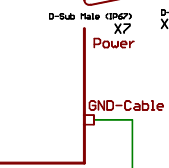
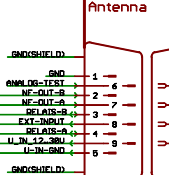


Allowed Cable Length 1....50m

Connection Cable (ANTENNA-DCU)
Standard Cable 9+Shield



System will not work without connected Shield !



External Speaker
4..600 Ohms
max Input >=2Watt

GPS
(MOB Input)

or
ALARM device
(Bell, Light...)

UHF/UHF COM
Transmitt PTT

For other external connections contact Rhotheta
DCU could be damaged !!

Revision	Date	ChangeIndex	Date	Checked	Name	RT300	Project
01.00	0	A		16.10.2003	F. Boehm	Connection Plan DCU	Project
01.01	1	B		11.02.2005	F. Boehm		
	2	C				Drawing No.:	Designation:
	3	D					
	4	E					
	5	F					
	6	G					

RHO	Internet www.rhotheta.de	Drawing No.:	Last Edit: 14.03.2006 12:55:02 Printed: 14.03.2006 12:55:32 Filename: Connection Plan DCU	Page: 1/1
Elektronik GmbH	THETA			